

MODEL DESIGNATION: Simonton Horizontal EndVent Series 07-09 / 07-10 Vinyl Impact Window

MAXIMUM OVERALL NOMINAL SIZE: Single up to 113" x 63"

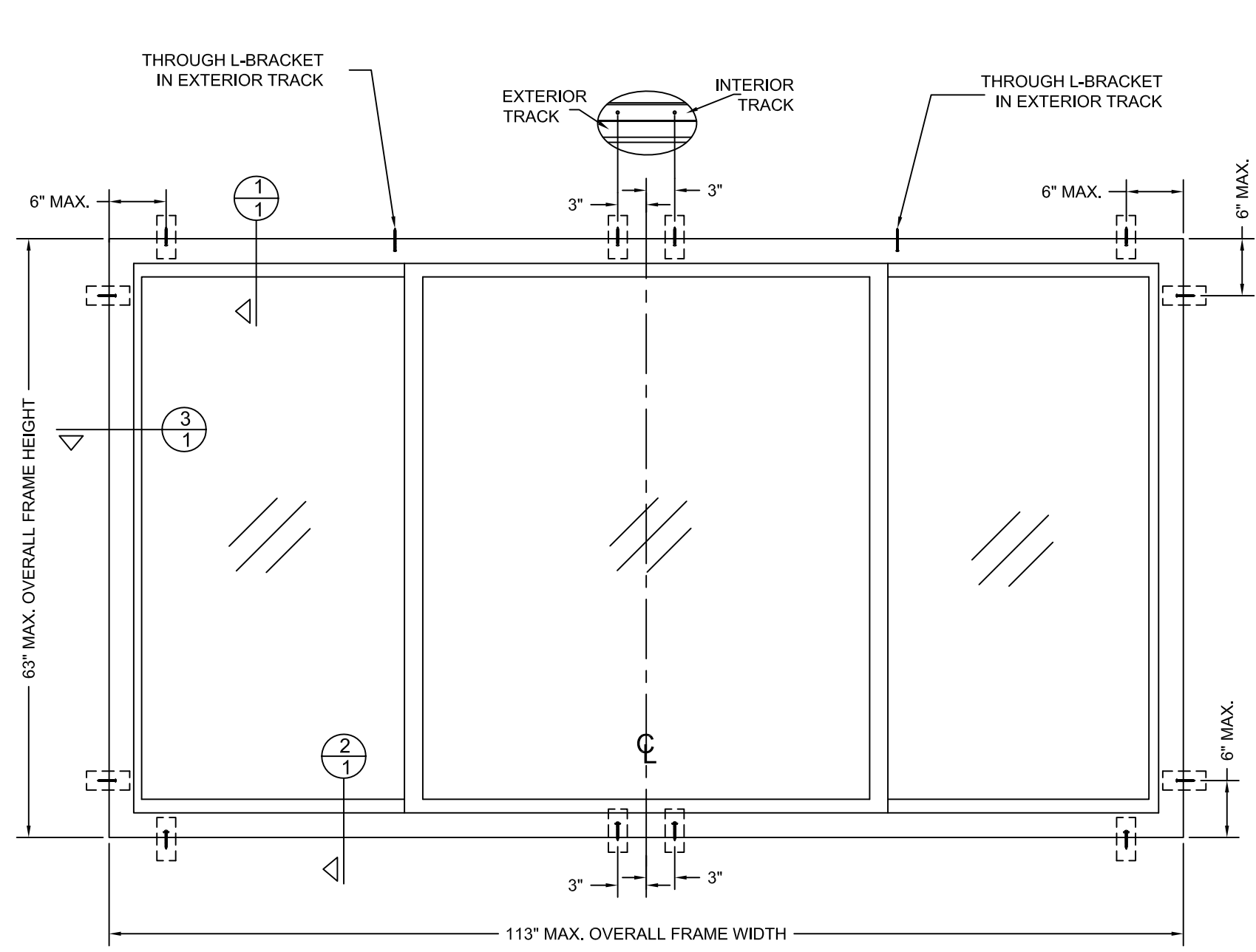
DESIGN PRESSURE RATING: Positive: 50.0 PSF
Negative: 50.0 PSF

USABLE CONFIGURATIONS: XOX (Quarter / Half / Quarter)

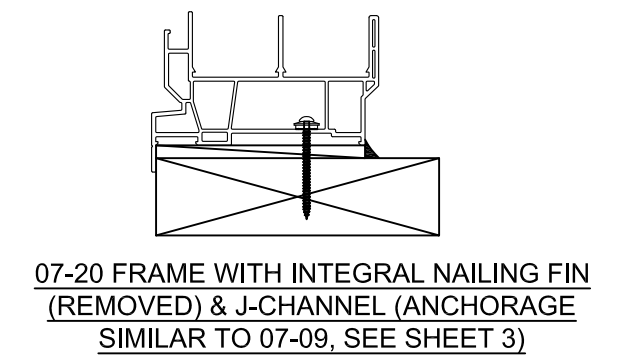
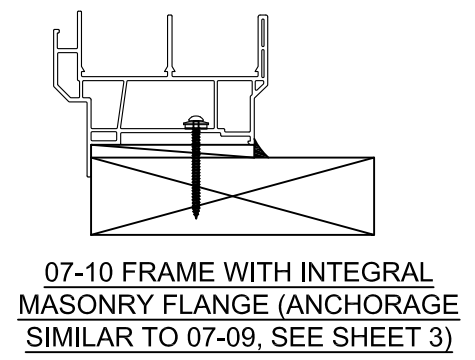
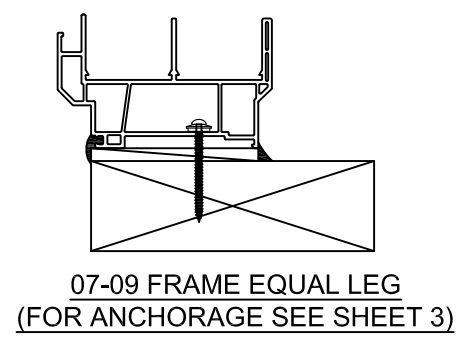
GENERAL DESCRIPTION: The head, sill, and side jambs are extruded PVC. The wall thickness through which the anchor screw penetrates is a minimum of 0.070".

**NO P.E. SEAL REQUIRED
INSTALLATION SUPPORTED
BY AAMA TEST REPORTS**

REV. #:	REVISIONS:	REVISED BY:	DATE:
1	UPDATED FOR 7TH EDITION 2020 FBC.	LMH	12/06/20



**QUALIFIED
FRAME
TYPES:**



--- INSTALLATION HOLE PRE-DRILLED
BY MANUFACTURER

DISCLOSURE STATEMENT
This document is the property of Simonton Windows, which retains all proprietary and other rights to its subject matter. This document is provided to the recipient on the expressed condition that it is not to be disclosed, reproduced in whole or part, nor used in conjunction with the design, manufacture or repair of goods for anyone other than Simonton Windows without its consent. This restriction does not limit the recipient's rights to utilize information contained in this document which is properly obtained from another source.

FILE: FL 10160

MATERIAL:	
RMS FINISH:	EXCEPT AS NOTED
ALLOY & TEMPER:	
WEIGHT:	VOLUME:
SURFACE AREA:	PERIMETER:
FINISH TREATMENT:	

Dimensional Tolerances Unless Otherwise Specified	
Decimals	Angles
.X ± .03	0° 30 min.
.XX ± .01	
.XXX ± .005	

SIMONTON
WINDOWS
1 Cochrane Avenue
Pennsboro, WV 26415

SIZE: B	DRAWING NO.: IN0587	REV.: 1
DRAWN BY: T.D.D./LMH	DATE: 01/11/17	
CHECKED BY:	DATE:	
APPR'V'D BY:	DATE:	

SCALE: FIT SHEET: 1 of 4

SERIES: 07-09 / 07-10 IMPACT HORIZONTAL ENDVENT

TITLE: 2X BUCK INSTALLATION - QHQ (AS TESTED)

MODEL DESIGNATION: Simonton Horizontal EndVent Series 07-09 / 07-10 Vinyl Impact Window

MAXIMUM OVERALL NOMINAL SIZE: Single up to 113" x 63"

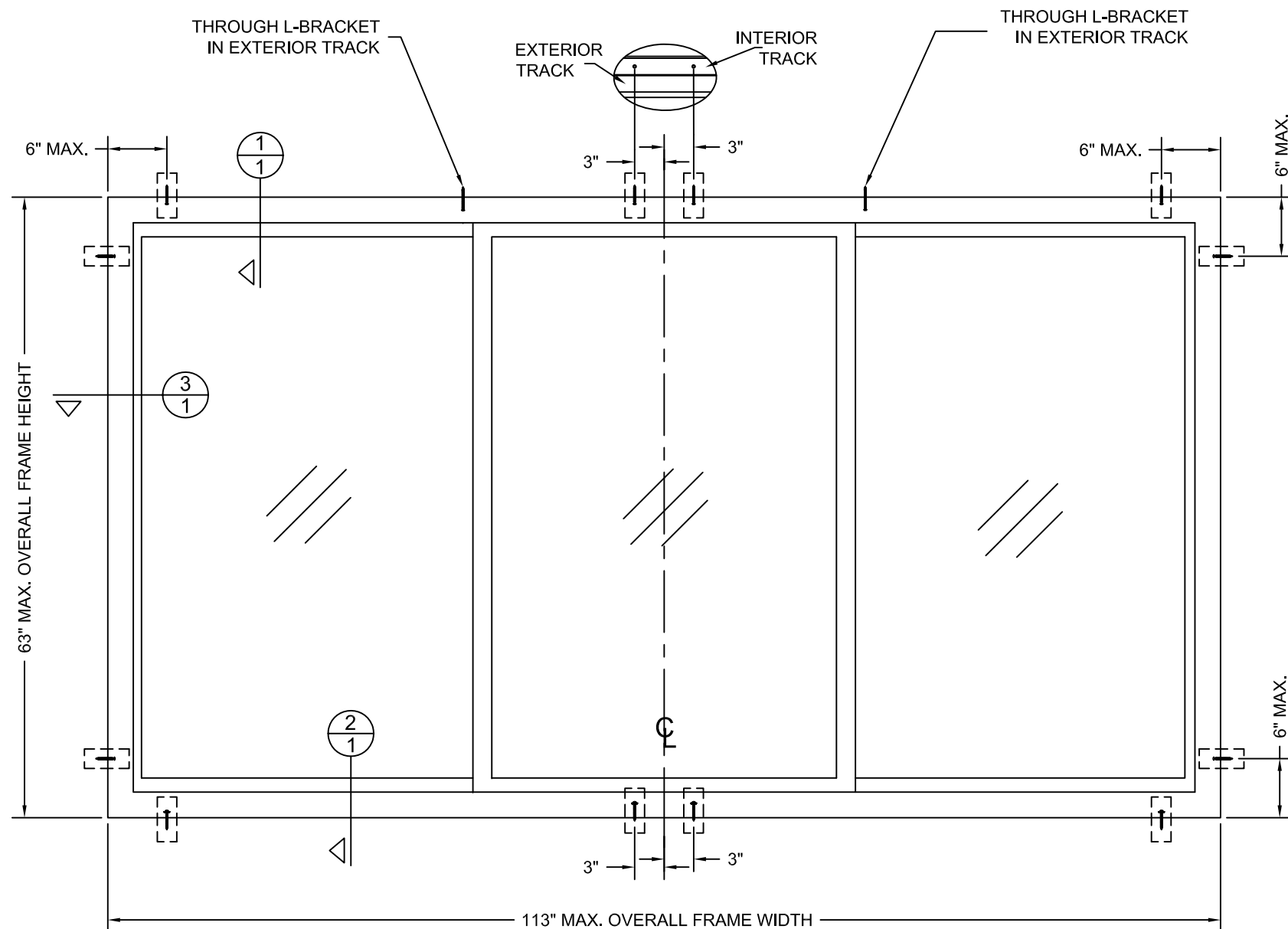
DESIGN PRESSURE RATING: Positive: 50.0 PSF
Negative: 50.0 PSF

USABLE CONFIGURATIONS: XOX (Equal Lites)

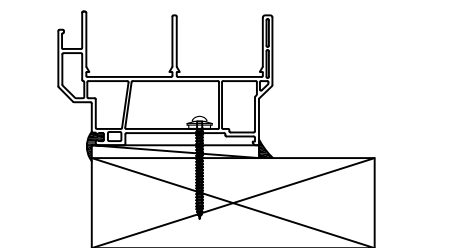
GENERAL DESCRIPTION: The head, sill, and side jambs are extruded PVC. The wall thickness through which the anchor screw penetrates is a minimum of 0.070".

**NO P.E. SEAL REQUIRED
INSTALLATION SUPPORTED
BY AAMA TEST REPORTS**

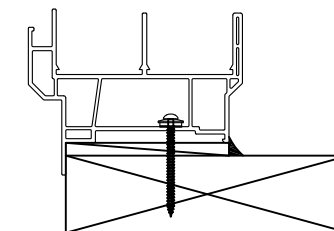
REV. #:	REVISIONS:	REVISED BY:	DATE:
1	UPDATED FOR 7TH EDITION 2020 FBC.	LMH	12/06/20
.	.	.	.
.	.	.	.
.	.	.	.
.	.	.	.



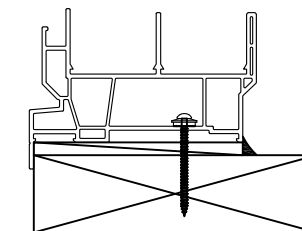
**QUALIFIED
FRAME
TYPES:**



**07-09 FRAME EQUAL LEG
(FOR ANCHORAGE SEE SHEET 3)**



**07-10 FRAME WITH INTEGRAL
MASONRY FLANGE (ANCHORAGE
SIMILAR TO 07-09, SEE SHEET 3)**



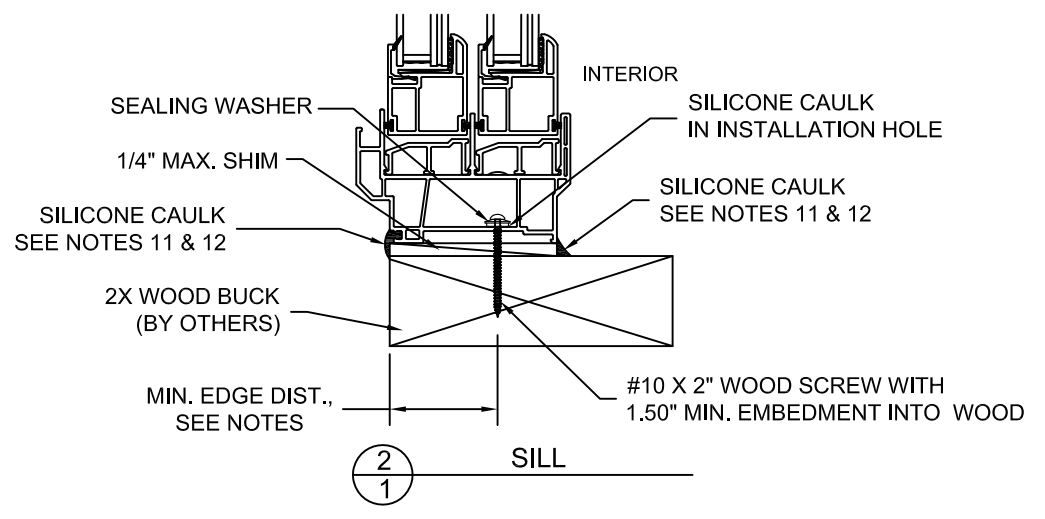
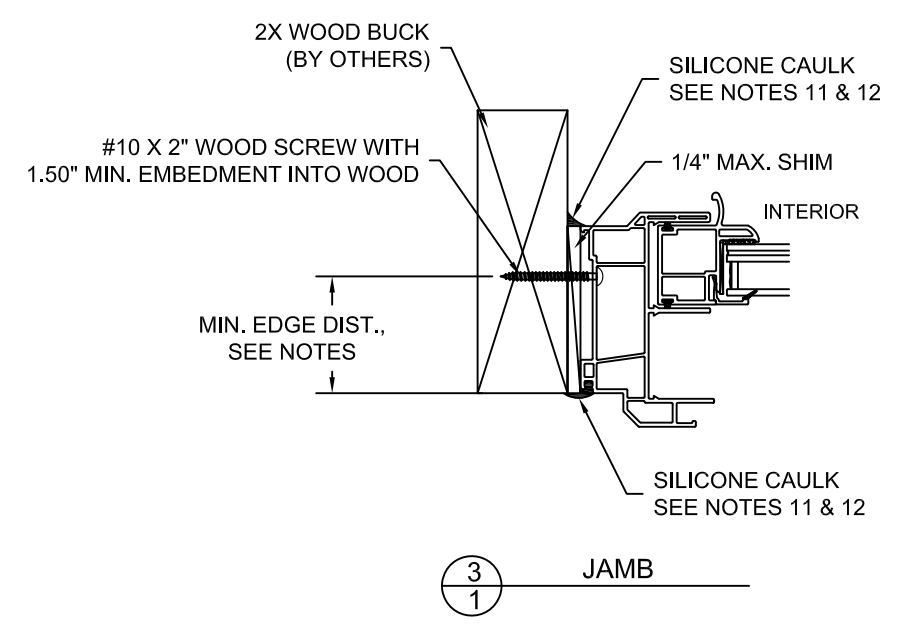
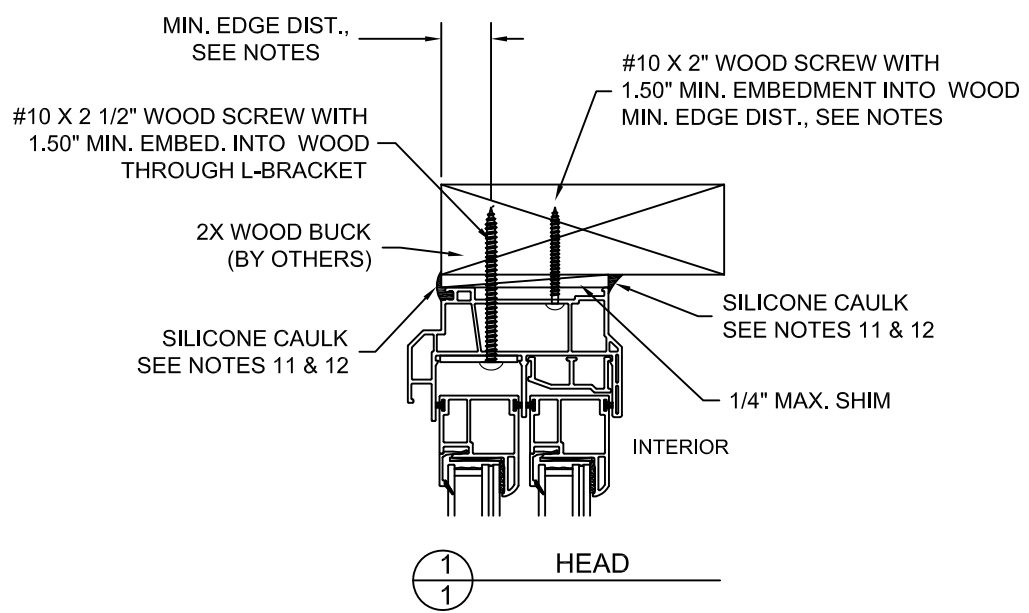
**07-20 FRAME WITH INTEGRAL NAILING FIN
(REMOVED) & J-CHANNEL (ANCHORAGE
SIMILAR TO 07-09, SEE SHEET 3)**

--- INSTALLATION HOLE PRE-DRILLED
BY MANUFACTURER

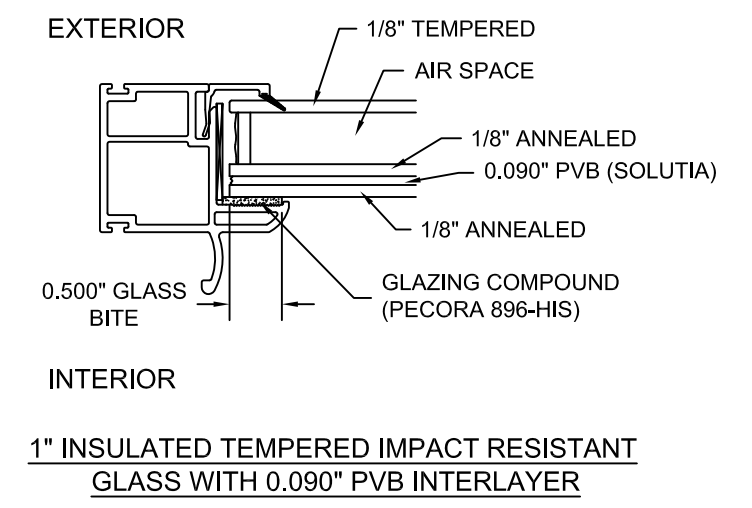
<p align="center">DISCLOSURE STATEMENT</p> <p>This document is the property of Simonton Windows, which retains all proprietary and other rights to its subject matter. This document is provided to the recipient on the expressed condition that it is not to be disclosed, reproduced in whole or part, nor used in conjunction with the design, manufacture or repair of goods for anyone other than Simonton Windows without its consent. This restriction does not limit the recipient's rights to utilize information contained in this document which is properly obtained from another source.</p>	<p>MATERIAL:</p> <p>RMS FINISH: _____</p> <p>EXCEPT AS NOTED</p> <p>ALLOY & TEMPER: _____</p>	<p align="center">Dimensional Tolerances Unless Otherwise Specified</p> <p>Decimals Angles</p> <p>.X ± .03 .XX ± .01 .XXX ± .005</p> <p>0° 30 min.</p>	<p>SIMONTON WINDOWS</p> <p>1 Cochrane Avenue Pennsboro, WV 26415</p>	<p>SIZE: B DRAWING NO.: IN0587 REV.: 1</p>
	<p>WEIGHT: _____ VOLUME: _____</p> <p>SURFACE AREA: _____ PERIMETER: _____</p> <p>FINISH TREATMENT: _____</p>			<p>SCALE: FIT SHEET: 2 of 4 APPR'V'D BY: _____ DATE: _____</p> <p>SERIES: 07-09 / 07-10 IMPACT HORIZONTAL ENDVENT</p> <p>TITLE: 2X BUCK INSTALLATION - EQ (AS TESTED)</p>
<p>FILE: FL 10160</p>				

REV. #:	REVISIONS:	REVISED BY:	DATE:
1	UPDATED FOR 7TH EDITION 2020 FBC.	LMH	12/06/20

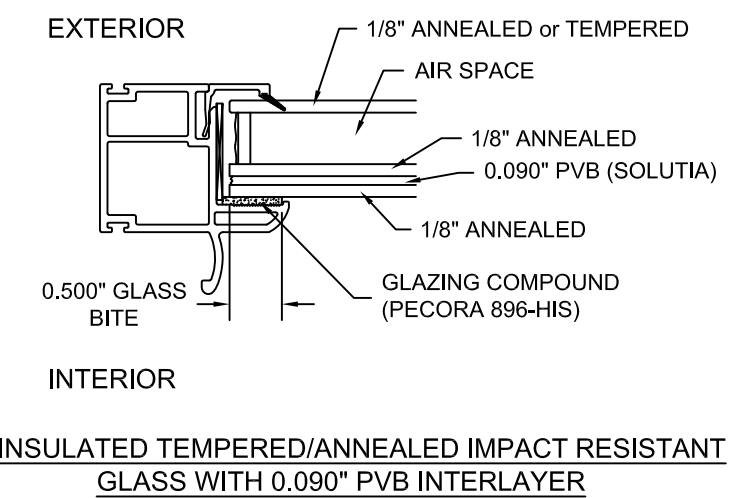
NO P.E. SEAL REQUIRED
 INSTALLATION SUPPORTED
 BY AAMA TEST REPORTS



XOX - Quarter / Half / Quarter



XOX - Equal



DISCLOSURE STATEMENT
 This document is the property of Simonton Windows, which retains all proprietary and other rights to its subject matter. This document is provided to the recipient on the expressed condition that it is not to be disclosed, reproduced in whole or part, nor used in conjunction with the design, manufacture or repair of goods for anyone other than Simonton Windows without its consent. This restriction does not limit the recipient's rights to utilize information contained in this document which is properly obtained from another source.

MATERIAL:	
RMS FINISH:	EXCEPT AS NOTED
ALLOY & TEMPER:	
WEIGHT:	VOLUME:
SURFACE AREA:	PERIMETER:
FINISH TREATMENT:	

Dimensional Tolerances Unless Otherwise Specified	
Decimals	Angles
.X ± .03	0° 30 min.
.XX ± .01	
.XXX ± .005	


 1 Cochrane Avenue Pennsboro, WV 26415	SIZE: B	DRAWING NO.: IN0587	REV.: 1
	DRAWN BY: T.D.D./LMH	DATE: 01/11/17	
	CHECKED BY:	DATE:	
	APPR'V'D BY:	DATE:	
SCALE: FIT	SHEET: 3 of 4	SERIES: 07-09 / 07-10 IMPACT HORIZONTAL ENDVENT	
TITLE: ANCHOR & GLAZING DETAILS			

NO P.E. SEAL REQUIRED
 INSTALLATION SUPPORTED
 BY AAMA TEST REPORTS

REV. #:	REVISIONS:	REVISED BY:	DATE:
1	UPDATED FOR 7TH EDITION 2020 FBC.	LMH	12/06/20

NOTES:

1. THIS INSTALLATION HAS BEEN EVALUATED FOR USE IN LOCATIONS ADHERING TO THE FLORIDA BUILDING CODE AND WHERE PRESSURE REQUIREMENTS AS DETERMINED BY ASCE 7 MINIMUM DESIGN LOADS FOR BUILDINGS AND OTHER STRUCTURES DO NOT EXCEED THE DESIGN PRESSURE RATINGS HEREIN, FOR USE OUTSIDE THE H.V.H.Z.
2. ALL INTERIOR AND EXTERIOR PERIMETER SURFACES OF THE WINDOW MUST BE CAULKED.
3. ANCHORS SHALL BE SPECIFIED AND SPACED AS SHOWN ANCHOR EMBEDMENT TO BASE MATERIAL SHALL BE BEYOND WALL DRESSING OR STUCCO AND INTO WOOD.
4. THE RESPONSIBILITY FOR SELECTION OF SIMONTON PRODUCTS TO MEET ANY APPLICABLE LOCAL LAWS, BUILDING CODES, ORDINANCES, OR OTHER SAFETY REQUIREMENTS RESTS SOLELY WITH THE ARCHITECT, BUILDING OWNER, OR CONTRACTOR.
5. SHIMS ARE OPTIONAL. MAXIMUM SHIM STACK IS 1/4".
6. WOOD BUCKS (BY OTHERS) MUST BE ENGINEERED AND ANCHORED PROPERLY TO TRANSFER LOADS TO THE STRUCTURE.
7. WHEN USED IN AREAS REQUIRING IMPACT PROTECTION, THIS PRODUCT DOES NOT REQUIRE THE USE OF IMPACT RESISTANT SHUTTERS OR OTHER EXTERNAL PROTECTION.
8. FLASHING SHOULD BE APPLIED USING THE ASTM E 2112 METHOD APPROPRIATE FOR THE OPENING INTO WHICH THE WINDOW IS BEING INSTALLED.
9. INSTALLATION SCREWS MUST BE AT LEAST 3/4" FROM THE EDGE OF THE WOOD.
10. THIS PRODUCT COMPLIES WITH ASTM E 1300.
11. USE A BACKER ROD ON ALL JOINTS >3/4" DEEP AND/OR WIDER THAN 1/4". FINISHED CAULK JOINT SHOULD BE A MINIMUM OF 3/8" DEEP.
12. DESIGNATION "X" AND "O" STAND FOR THE FOLLOWING:
 X: OPERABLE PANEL O: FIXED PANEL

<p align="center">DISCLOSURE STATEMENT</p> <p>This document is the property of Simonton Windows, which retains all proprietary and other rights to its subject matter. This document is provided to the recipient on the expressed condition that it is not to be disclosed, reproduced in whole or part, nor used in conjunction with the design, manufacture or repair of goods for anyone other than Simonton Windows without its consent. This restriction does not limit the recipient's rights to utilize information contained in this document which is properly obtained from another source.</p>	MATERIAL:	<p align="center">Dimensional Tolerances Unless Otherwise Specified</p>	 <p align="center">1 Cochrane Avenue Pennsboro, WV 26415</p>	SIZE: B	DRAWING NO.: IN0587	REV.: 1
	RMS FINISH: <small>EXCEPT AS NOTED</small>			Decimals Angles	DRAWN BY: T.D.D./LMH	DATE: 01/11/17
ALLOY & TEMPER:	WEIGHT: VOLUME:	.X ± .03	CHECKED BY:	DATE:		
SURFACE AREA: PERIMETER:	FINISH TREATMENT:	.XX ± .01	APPR'V'D BY:	DATE:		
FILE: FL 10160		.XXX ± .005	0° 30 min.	SCALE: FIT SHEET: 4 of 4	SERIES: 07-09 / 07-10 IMPACT HORIZONTAL ENDVENT	TITLE: NOTES & INSTALL ANCHOR TABLE